



ISO
9001:2015
CERTIFIED

Quality With Confidence

Aluminium Glass
RAILING
SYSTEM



Company Profile :

- Metallica Archimetrics is promoted by Entrepreneurs Having Continuous Experience More than Decade in the Field of Architectural Railing Products and Hardware Items.
- Our Product Manufacturing Process is Design in Architectural Subject Values and Safety Standards to Deliver High Quality, Innovative & Unique Designs, and Assurance in Products.
- ISO 9001: 2015 Certified Company
- In-House R & D Division and Excellent System in Terms of Quality Products & Safety Standards.
- Easy and Fast Installation with Our In-House Installation Team.

Vision :

- To Become The Most reliable name in the Railings World by Providing the Best Designs, New Innovation, Excellent Quality and Cost Effective Solutions
- To build lifelong relations with our clients assuring them the competitive edge
- In the market & facilitating them Cost Effective Solutions
- To Manufacture and Supply the Most Creative, User Friendly and Architectural Designs Worldwide

Mission :

- Our Continuous innovation program for consistent technology features and cost-efficiency processes improvement is “never-ending”
- We Metallica Archimetrics committed to comply with the most exacting customer needs and provide satisfactions through prompt supply of rightly engineered products delivering the best quality at most Economic Price.
- We are vowed towards Meeting our Client's Expectations by Delivering Our Products at par or exceeds the Standards.

Elements of Aluminium Railings :

We Use High Quality Standards of Aluminium in Railing Profile which manufactured in Mechanical Standards Controlling its compositions are maintained by Approved Industry Standards. Excellent extrudability, high corrosion resistance, and ability to be formed into complex shape As Required Design by Customer.

Glass :

Toughened Glass tends to be the most popular choices for balcony balustrades whether framed or frameless. Tempered glass and heat-strengthened glass are relatively similar in the way they are processed. It also increases safety.

Wedges :

Wedges are Components to use Fixing the Glass in Railing System, We Use High Quality EDPM Rubber, Aluminium & ABS.

Fasteners :

Our Railing Fasteners Secure and Reliable and Followed by European Technical Assessment Because Its Role is Very Important to Fix Railing System for Strength and Stability We Use Quality Fasteners like Hilti, Klimas, Fishers as Requirements to Quality Standards.

Installation Team :

Proper Knowledgeable Installation Team Require For Easy and Timely Installation of Our Products So Such Installation Can Be Complete with in Time Frame with Accuracy & Properly. So We Recommend Installing Our Product with Our In-House Installation Team.

Quality :

We are thankful to our people and work philosophy for Zero tolerance in the quality aspect in all arena of our business.

MAPL Follows parallel quality vigilant process besides the project executions which creates the ample watch on smallest details assuring our clients the best experience.

Working Sectors :

Our Products are installed at Various Locations Worldwide, Including Residential Projects, Villas, Hotels, Motels, Commercial Projects Like Office Buildings, Shopping Malls, Government Project Like Airports, Bus stops, Hospitals and Public Parks Etc.

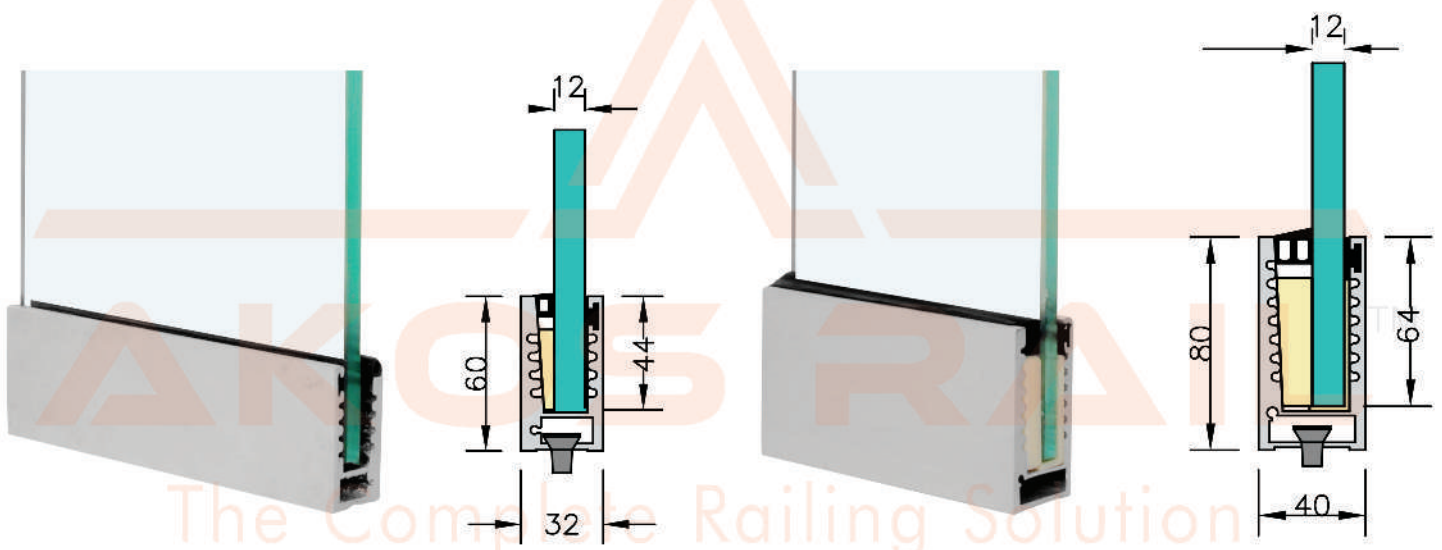


Product Benefits :

- Easy to Install & Maintain
- Provide Unobstructed Views
- Maximize Safety & Durability
- Customize Accordance with Any Place
- Availability of Choice of Colors ;
Powder Coating / Anodizing /
Polyvinylidene fluoride i.e. PVDF
- Recyclable



CONTINUOUS PROFILE

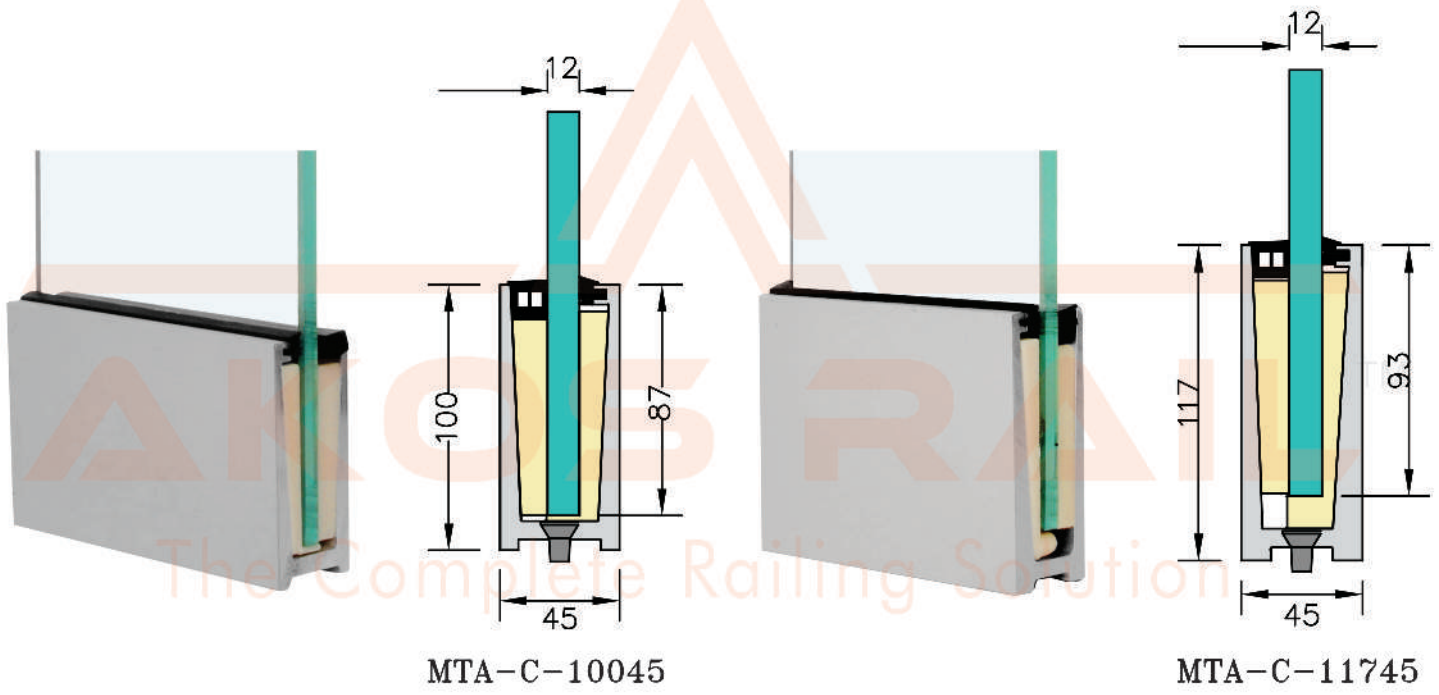


MTA-C-6032

MTA-C-8040

Compatible Glass 10mm, 12mm, 13.52mm	Railing Height 1000mm	Mounting System Top & Conceal
---	--------------------------	----------------------------------

Compatible Glass 12mm, 13.52mm	Railing Height 1000mm	Mounting System Top & Conceal
-----------------------------------	--------------------------	----------------------------------



Compatible Glass
12mm, 13.52mm

Railing Height
1050mm

Mounting System
Top & Conceal

Compatible Glass
12mm, 13.52mm

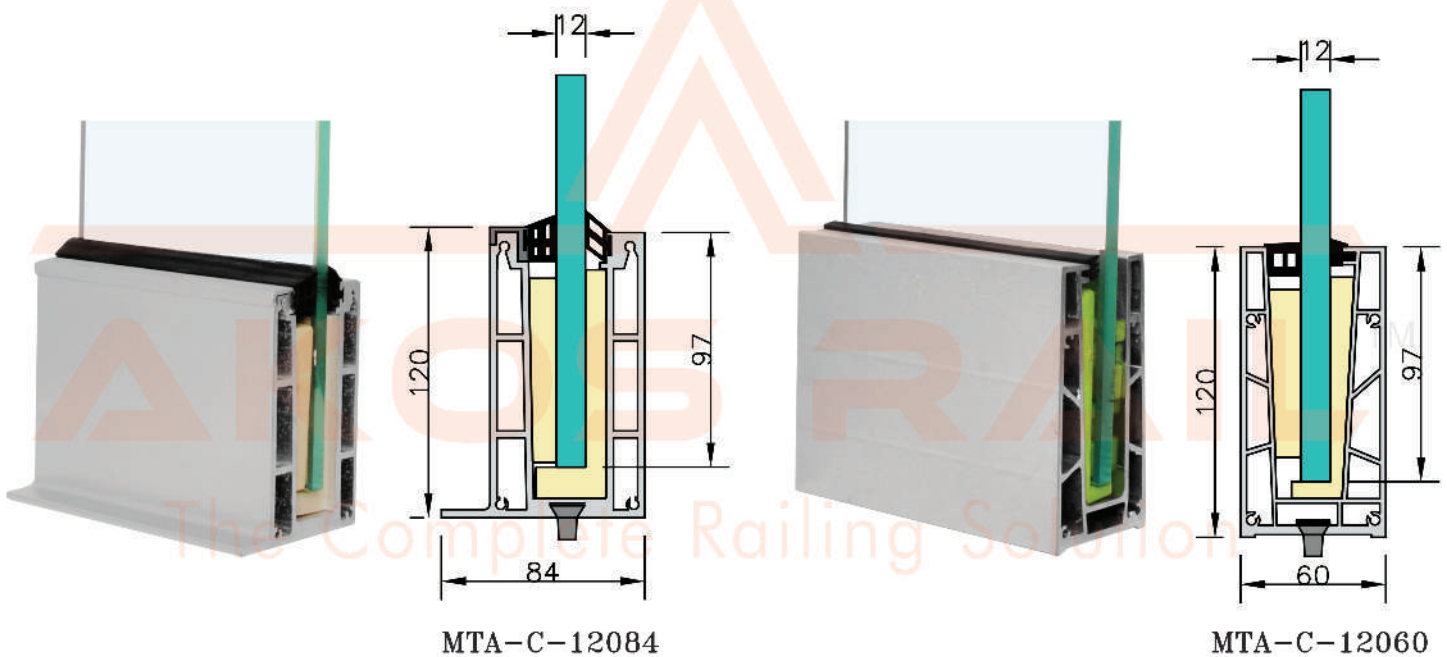
Railing Height
1100mm

Mounting System
Top & Conceal

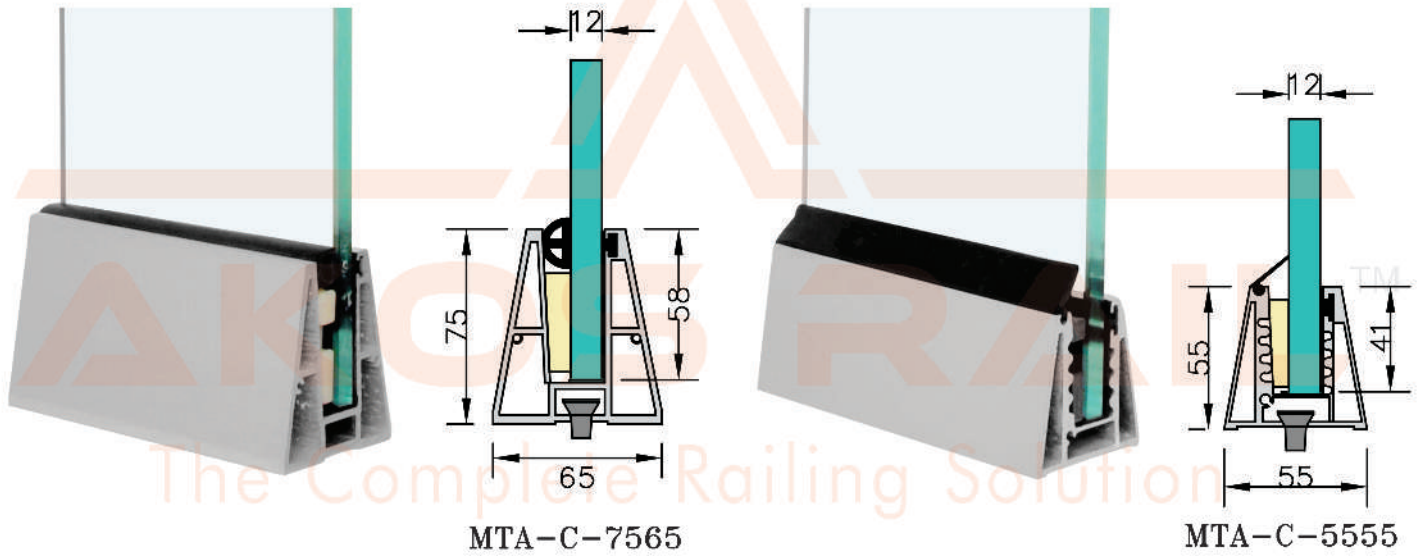




CONTINUOUS PROFILE



Compatible Glass 12mm to 17.52 mm	Railing Height 1050mm	Mounting System Top	Compatible Glass 12mm to 17.52 mm	Railing Height 1050mm	Mounting System Top & Conceal
--------------------------------------	--------------------------	------------------------	--------------------------------------	--------------------------	----------------------------------



Compatible Glass
10mm, 12mm

Railing Height
1000mm

Mounting System
Top

Compatible Glass
10mm, 12mm

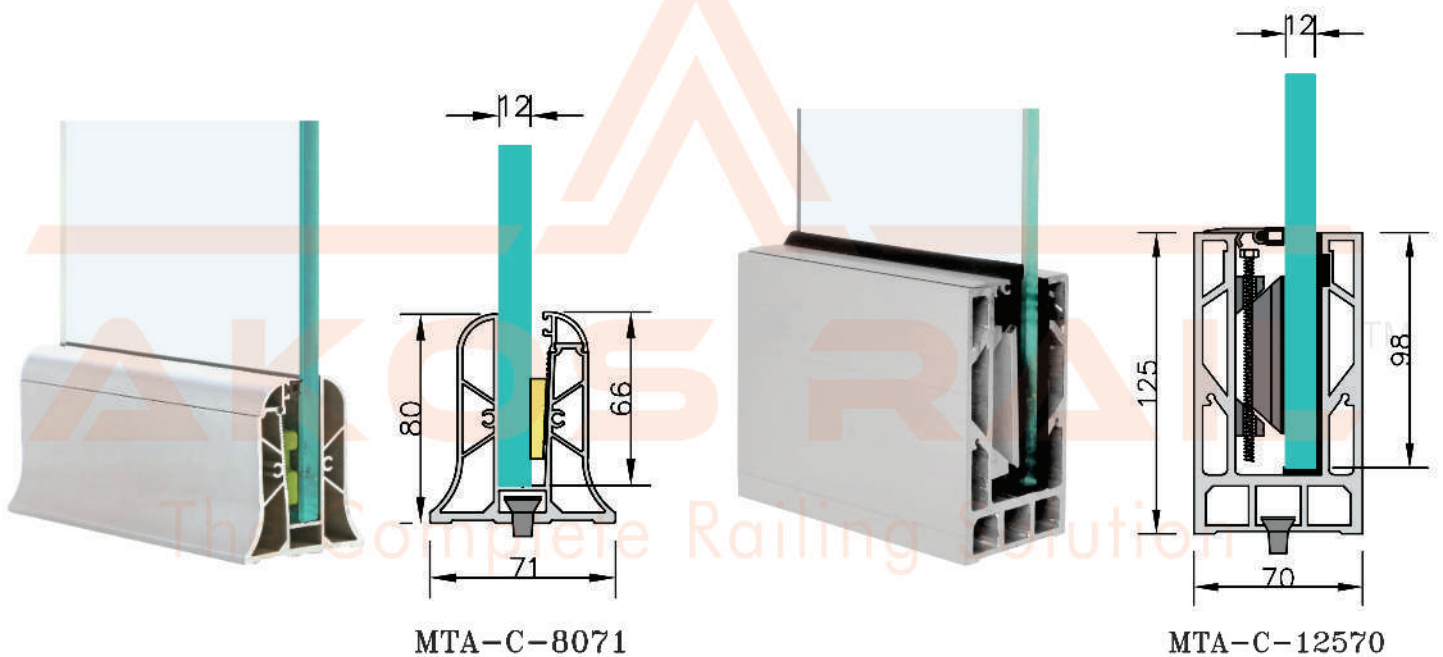
Railing Height
1000mm

Mounting System
Top





CONTINUOUS PROFILE



Compatible Glass
10mm, 12mm

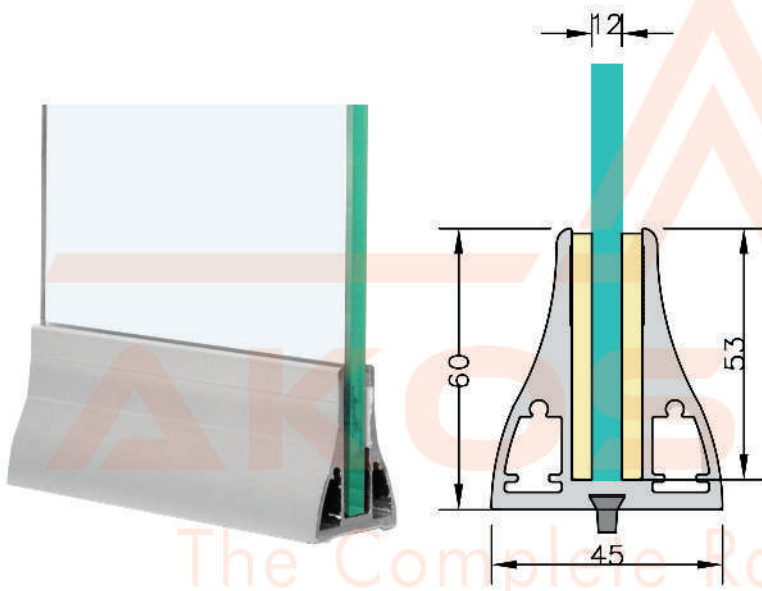
Railing Height
1000mm

Mounting System
Top

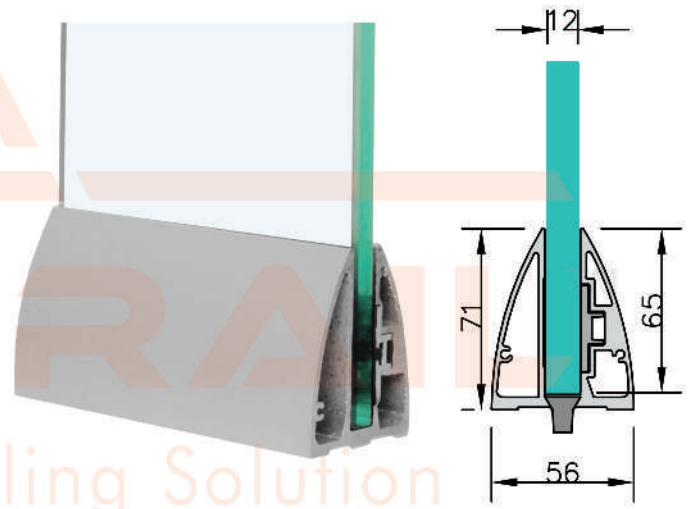
Compatible Glass
12mm to 21mm

Railing Height
1100mm

Mounting System
Top & Conceal



MTA-C-6045



MTA-C-7156

Compatible Glass
10mm, 12mm

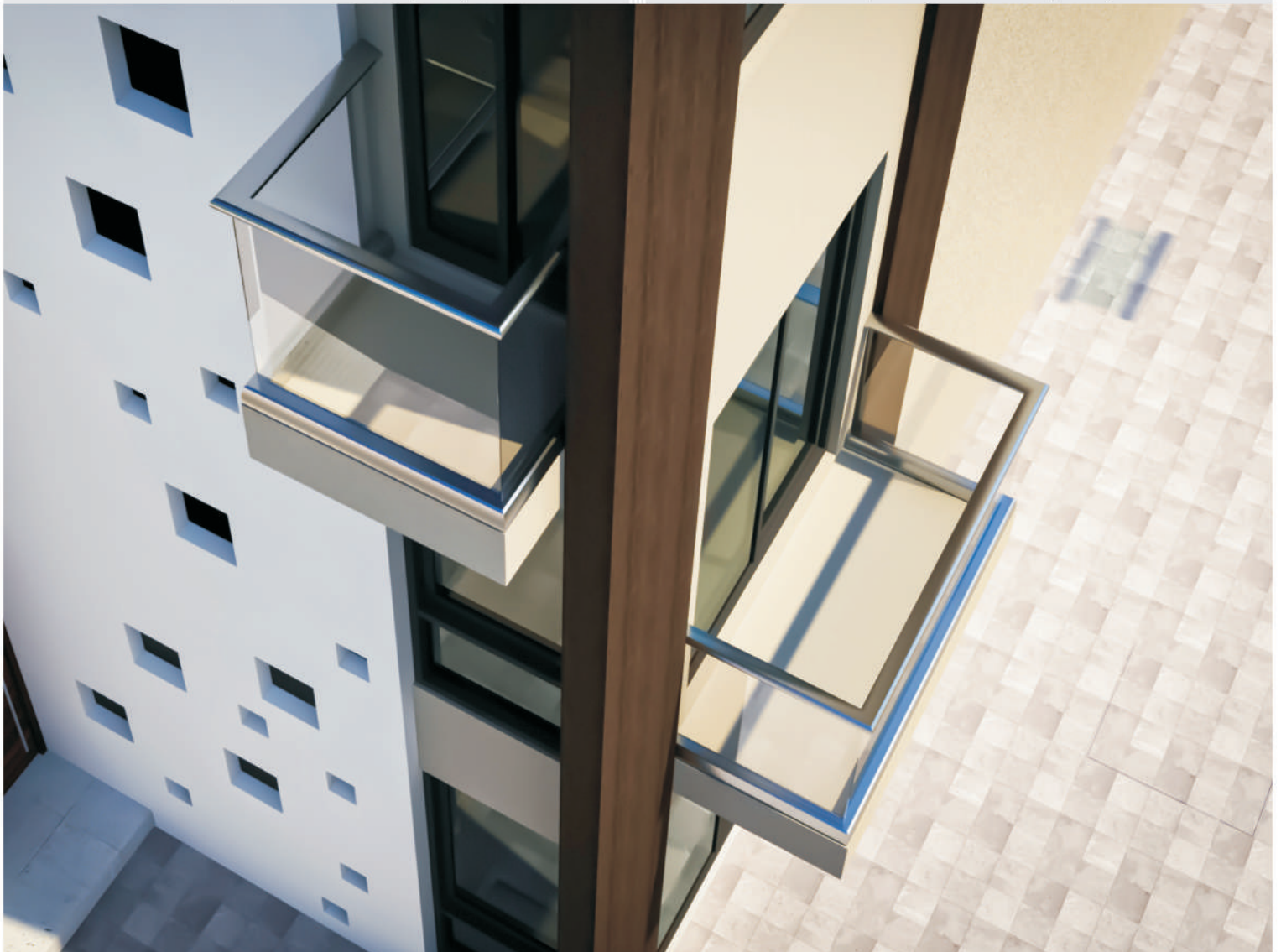
Railing Height
1000mm

Mounting System
Top

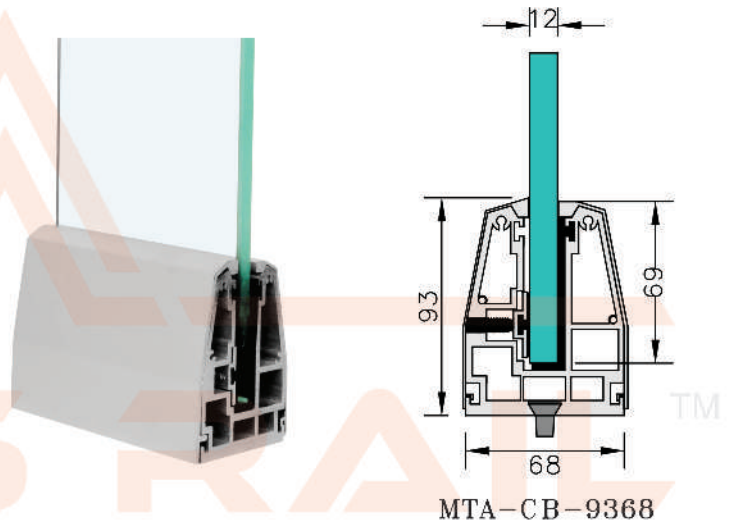
Compatible Glass
10mm, 12mm

Railing Height
1000mm

Mounting System
Top



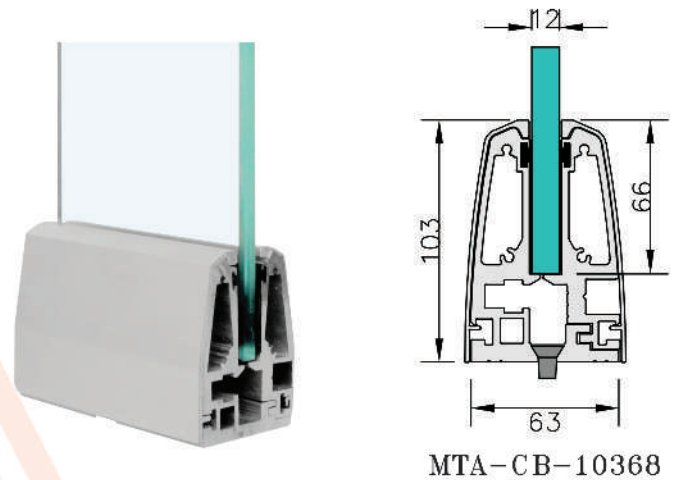
BRACKET WITH CONTINUOUS COVERS



Compatible Glass
12mm, 13.52mm

Railing Height
1000mm

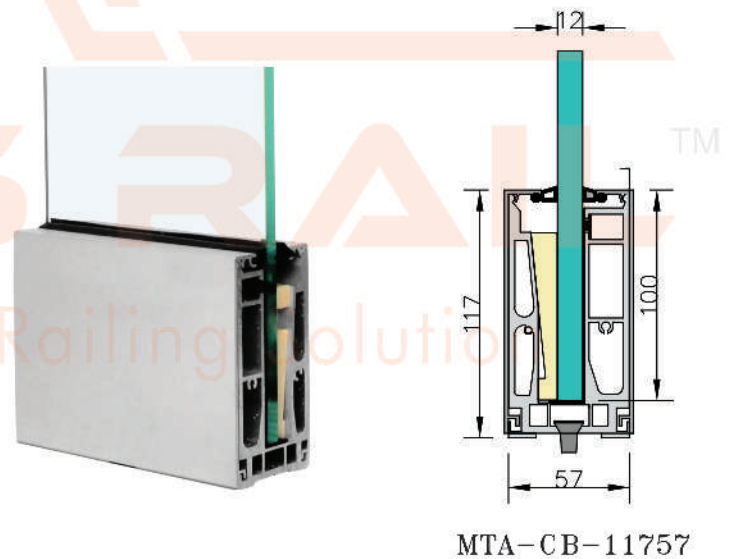
Mounting System
Top



Compatible Glass
12mm, 13.52mm

Railing Height
1000mm

Mounting System
Top



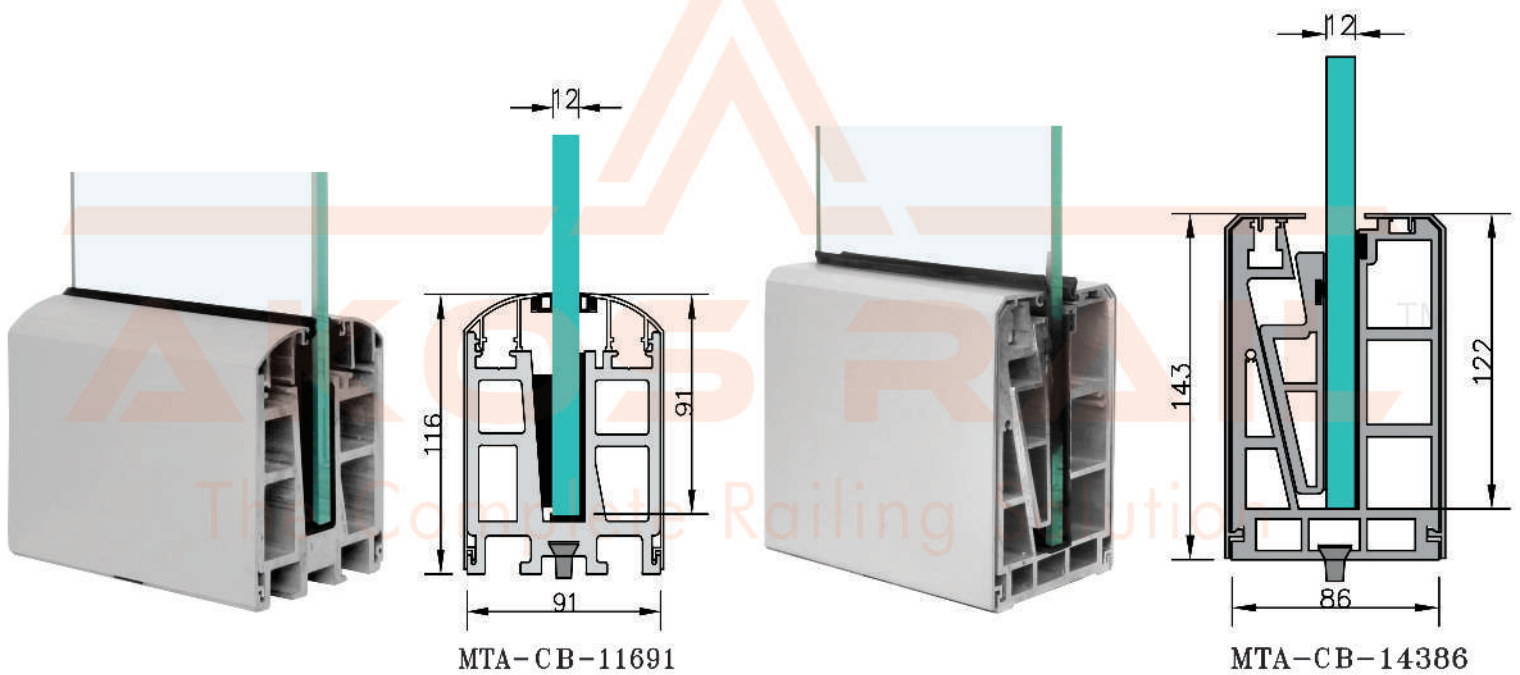
Compatible Glass
12mm, 13.52mm

Railing Height
1000mm

Mounting System
Top



BRACKET WITH CONTINUOUS COVERS



Compatible Glass
10mm, 12mm

Railing Height
1000mm

Mounting System
Top

Compatible Glass
10mm, 12mm, 13.52mm

Railing Height
1000mm

Mounting System
Top

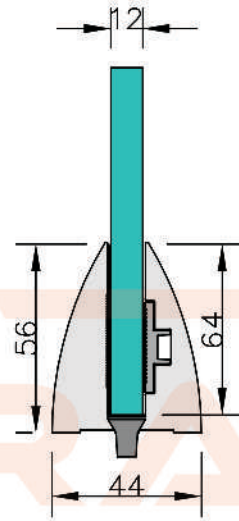
BRACKET SYSTEMS



Compatible Glass
12mm, 13.52mm

Railing Height
1000mm

Mounting System
Top



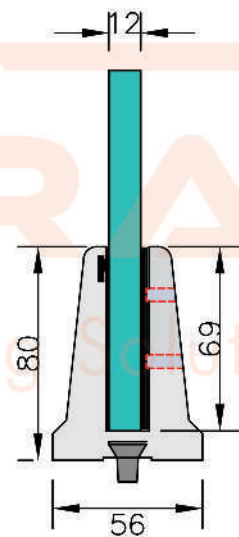
MTA-B-5644



Compatible Glass
12mm, 13.52mm

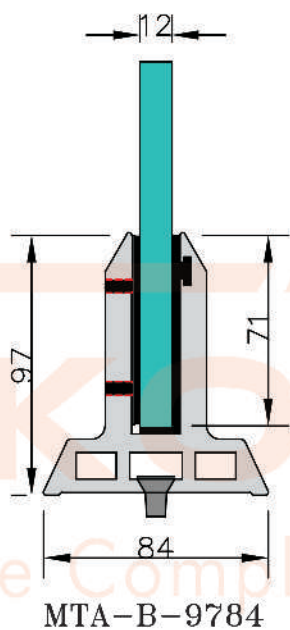
Railing Height
1000mm

Mounting System
Top



MTA-B-8056





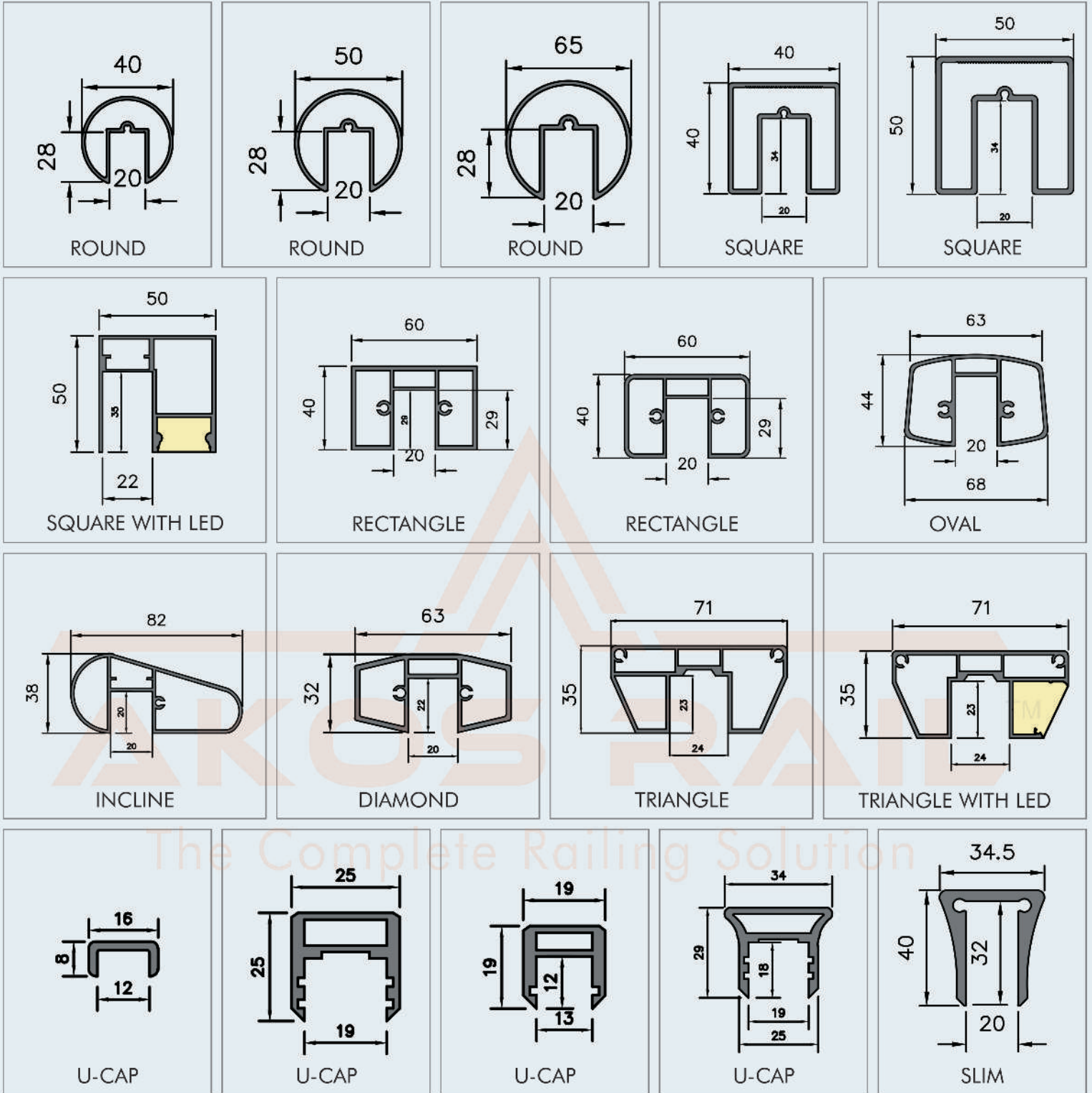
TM

The Complete Railing Solution

Compatible Glass 12mm, 13.52mm	Railing Height 1000mm	Mounting System Top
-----------------------------------	--------------------------	------------------------



HANDRAIL

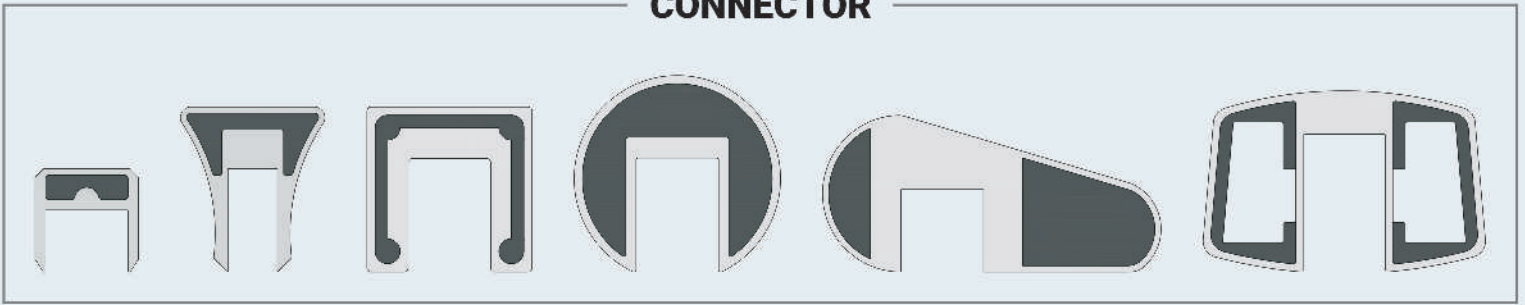


Customize design options
available as per requirement

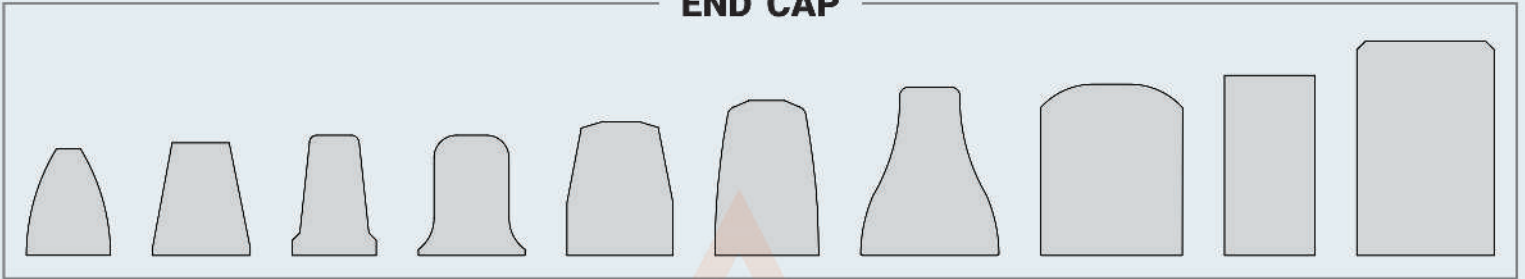
Available Surface Finish

Anodize
PVDF
Wooden
Powder Coating

CONNECTOR



END CAP



WALL PLATE



ESSENTIAL FEATURES



Weather
Proof



Easy & Perfect
Installation



Maintenance
Free



Easy
Cleaning



Recyclable
Material



Maximize Safety
& Durability



METALLICA ARCHIMETRICS



Residential Projects



Buildings



Hotels



Shopping Malls



Airports



Hospitals



Bus Stops



Public Parks

Mfg. & Mktd. By :

METALLICA ARCHIMETRICS PVT. LTD.

📍 Panchvati, 11-Bhaktinagar Station Plot,
Opp. Bombay Garage Petrol Pump,
Gondal Road, Rajkot-360002.

📞 +91 95125 43430, +91 95124 43430

🌐 <http://www.akosrail.com>

✉ info@akosrail.com

